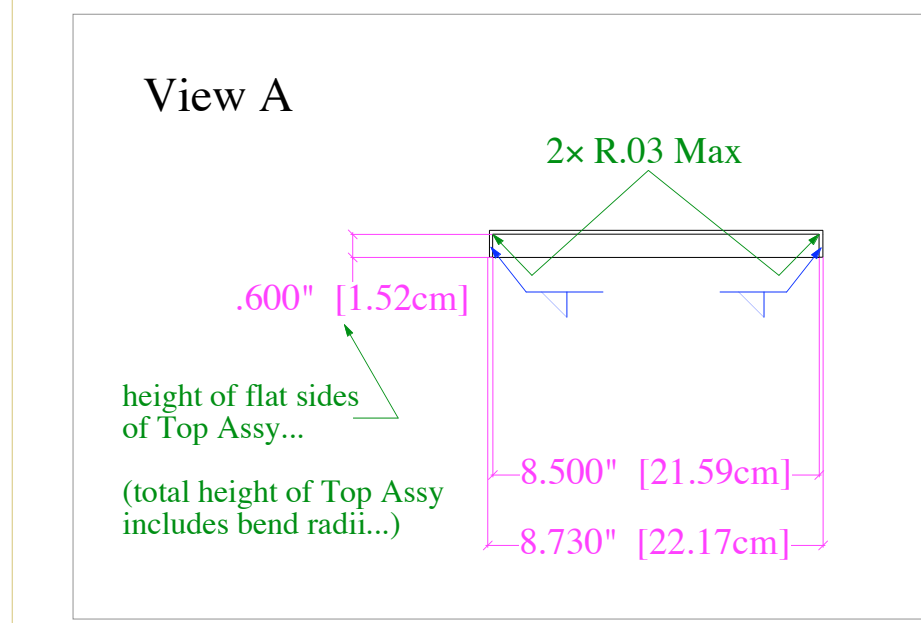
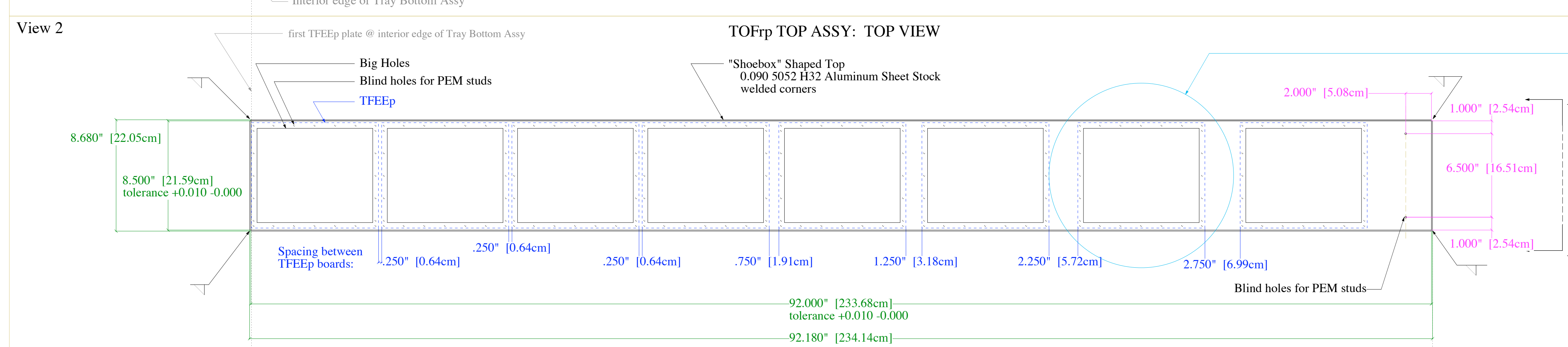
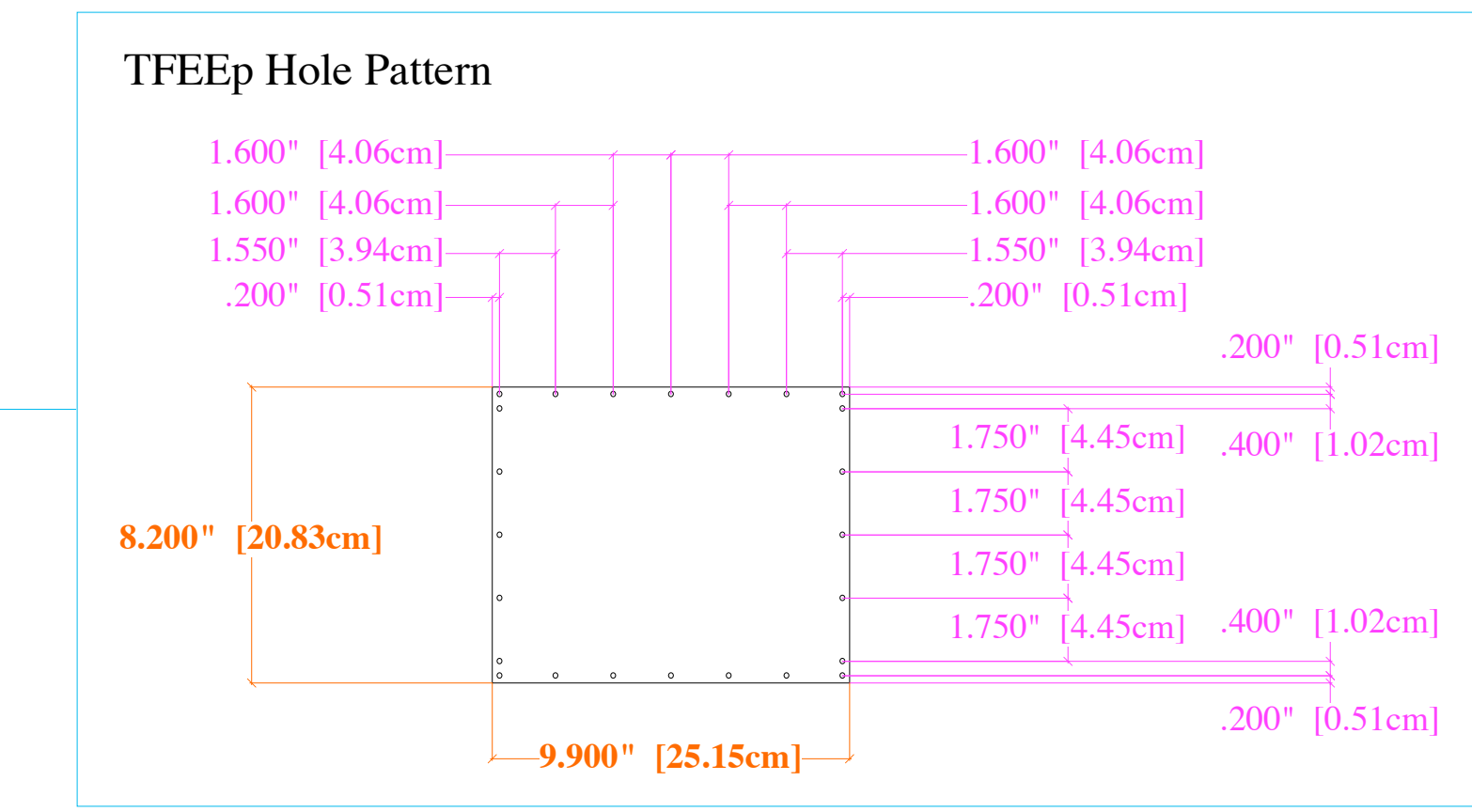
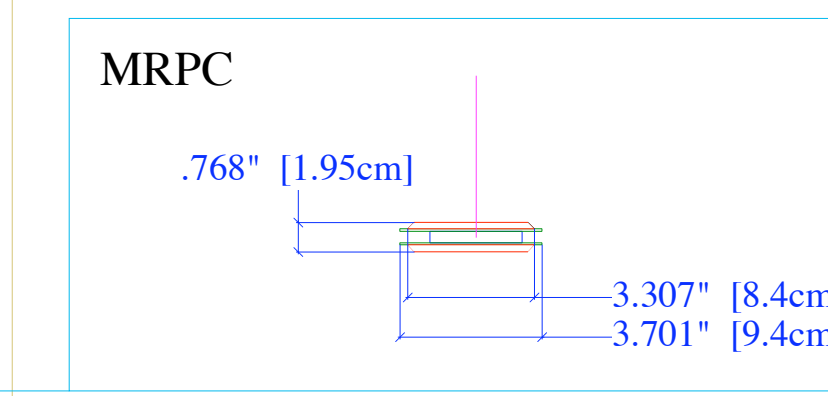
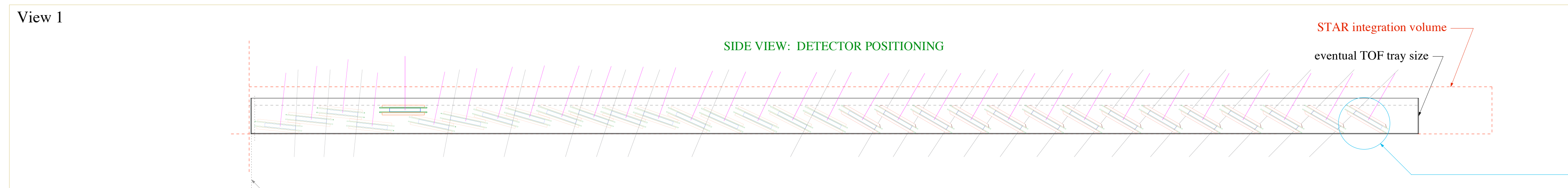


# STAR TOFrp Tray

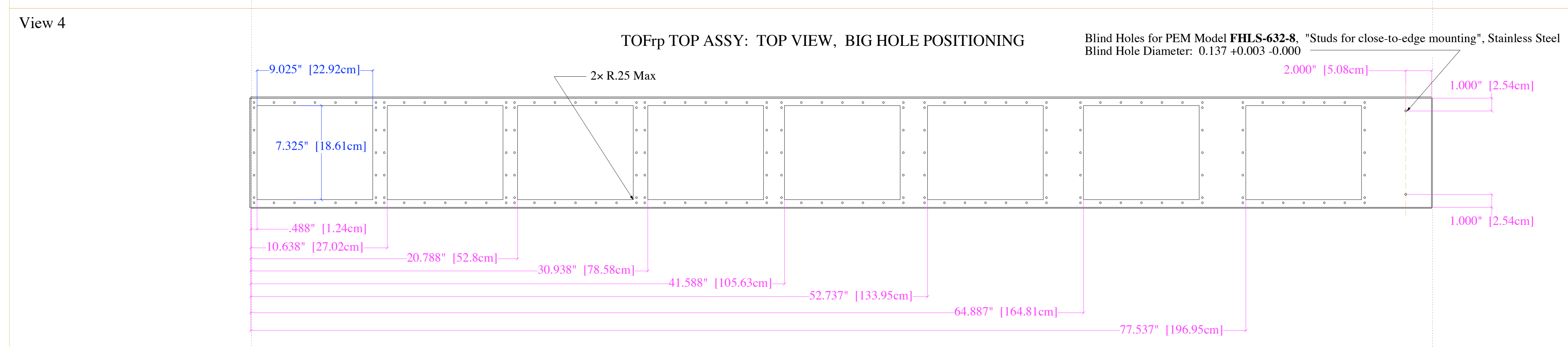
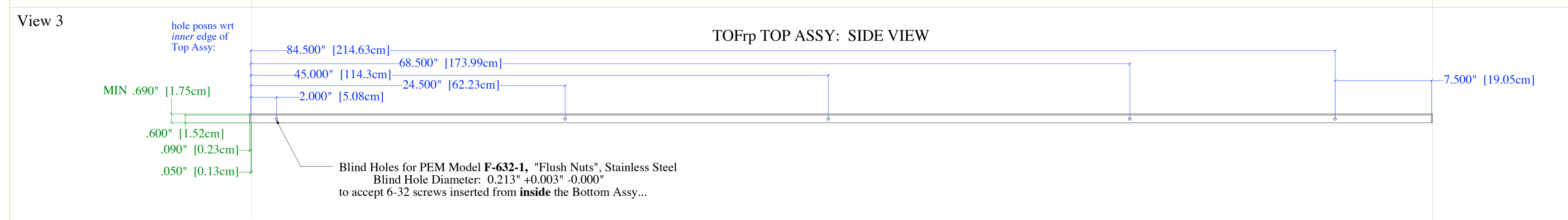
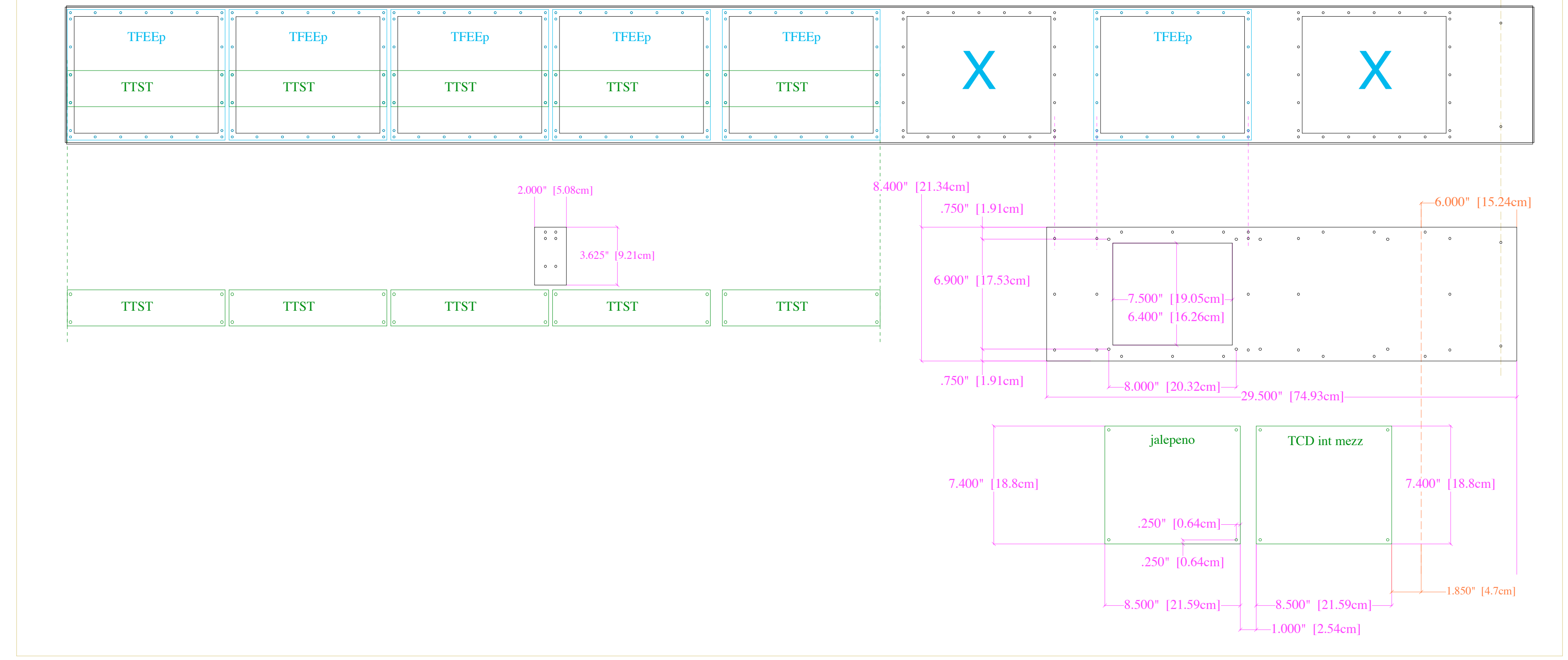
W. J. Llope, llope@physics.rice.edu, 713-348-4741

- Parts:
- One (1) Tray Top Assy (Views 2, 3, 4, & 5)  
0.090" 5052 H32 Aluminum Sheet Stock
  - One (1) Tray Bottom Assy (Views 6 & 7)  
0.050" 5052 H32 Aluminum Sheet Stock
  - Two (2) Tray Feet (Views 6 & B)  
0.090" 5052 H32 Aluminum Sheet Stock  
welded to Bottom Assy as in View B.

- Notes:
- Parts are to be degreased and wrapped in plastic.
  - PEM nuts and studs to be cleaned before mounting in Top Assy.
  - Top Assy must fit onto Bottom Assy smoothly & without force.



### TTST and Jalapeno Mounting Detail



### Cooling Loop Detail

