

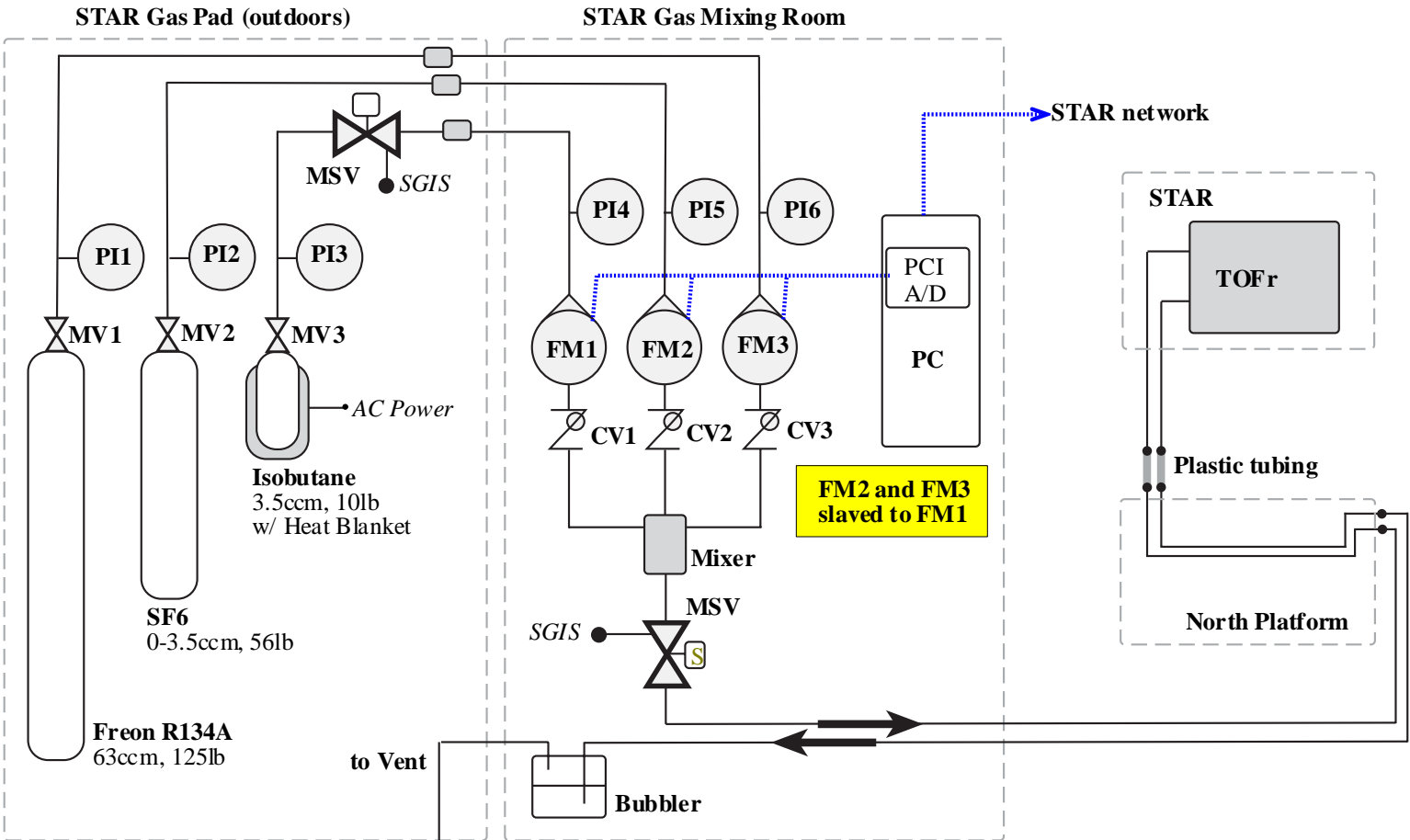
TOF DRAWING NUMBER 1		STAR DRAWING NUMBER TOFXXX-A-1		SHEET # 1 of 1		RHIC DRAWING NUMBER REV.		ALL DIMENSIONS ARE CENTIMETERS	
DRWN BY W.J. Llope		DATE 12/1/2002		COGNIZANT ENG. L. Kotche nda		DATE		CAT. CODE/WBS	
REV.	DWN.	CHK.	DATE						

T.W. BONNER NUCLEAR LABORATORY
RICE UNIVERSITY Houston, TX 77005-1892

STAR TOFp SYSTEM

TOFr

TOFr Gas System



vent location is
~30' east of east wall of GMR and
~25' above the ground.

REQUIRED SIGNATURES, DATE
 INTEGRATION MANAGER _____
 PROJECT MANAGER _____
 TECHNICAL DIRECTOR _____

Legend		
MV	Manual Valve	
PI	Pressure Indicator	Dwyer 65030
FM	Flow Meter	Teledyne HFC-202
CV	Check Valve	Swagelok SS-4C-1/3
MSV	Main Shutoff Valve	Asco EF8262G7